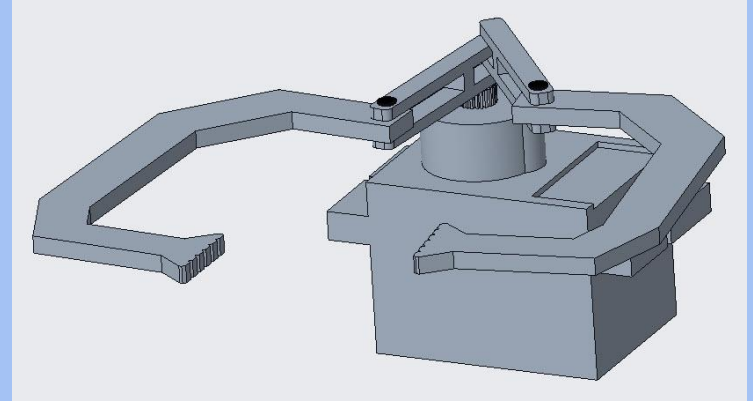


Laundry Folding Claw

Purpose: The overall purpose of this design is to generate ease to the common household chore that is folding laundry. This design allows for maximum strength and mobility for the most desirable outcome and a clean fold.

Major Decisions in the Process: Throughout the design process, especially in the Components phase, many adjustments to the original design had to be made in order to accommodate the desired functionality. The design of the claw itself filtered through many modifications in order to generate a product that could complete the best complete the task at hand. With a rigid grab surface, there is low risk of slip no matter the material being folded.

Major Calculations: One of the most important calculations that was completed in order to generate the final product was the force required to clamp the claws. In order to ensure a non-slip grip, the force of the claws was calculated not to exceed 15 pounds, accommodating the weight of almost all traditional clothing items.



Major Lessons Learned: The entire process regarding the development of this design was a new experience for me, allowing more design freedom and creativity than I originally expected. I have become increasingly more proficient in CAD modeling systems and have learned how to generate shapes and parts that I had no experience with before. I've generated a deeper understanding of the calculations and analysis that are required to power almost any traditional machine.